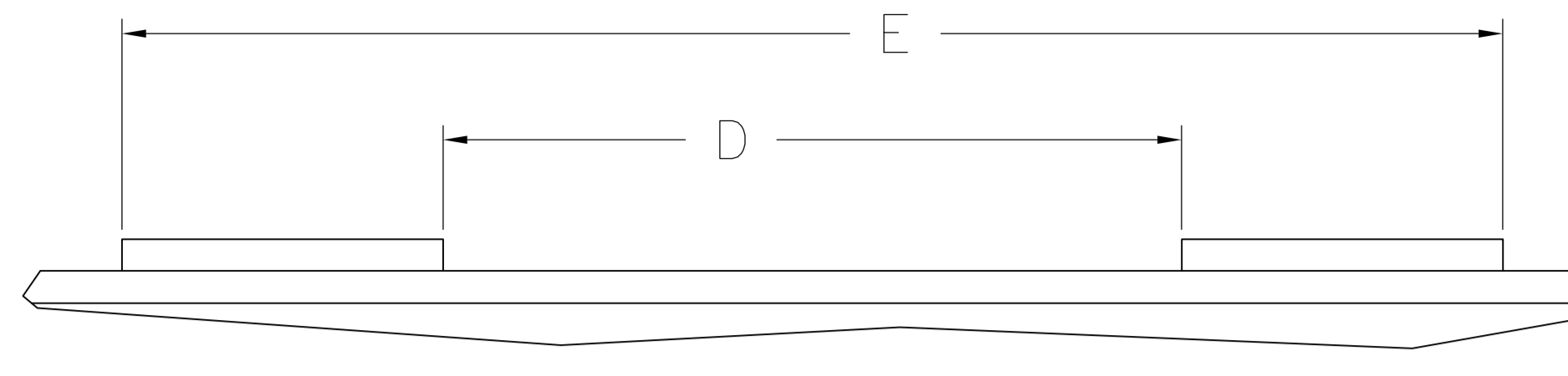
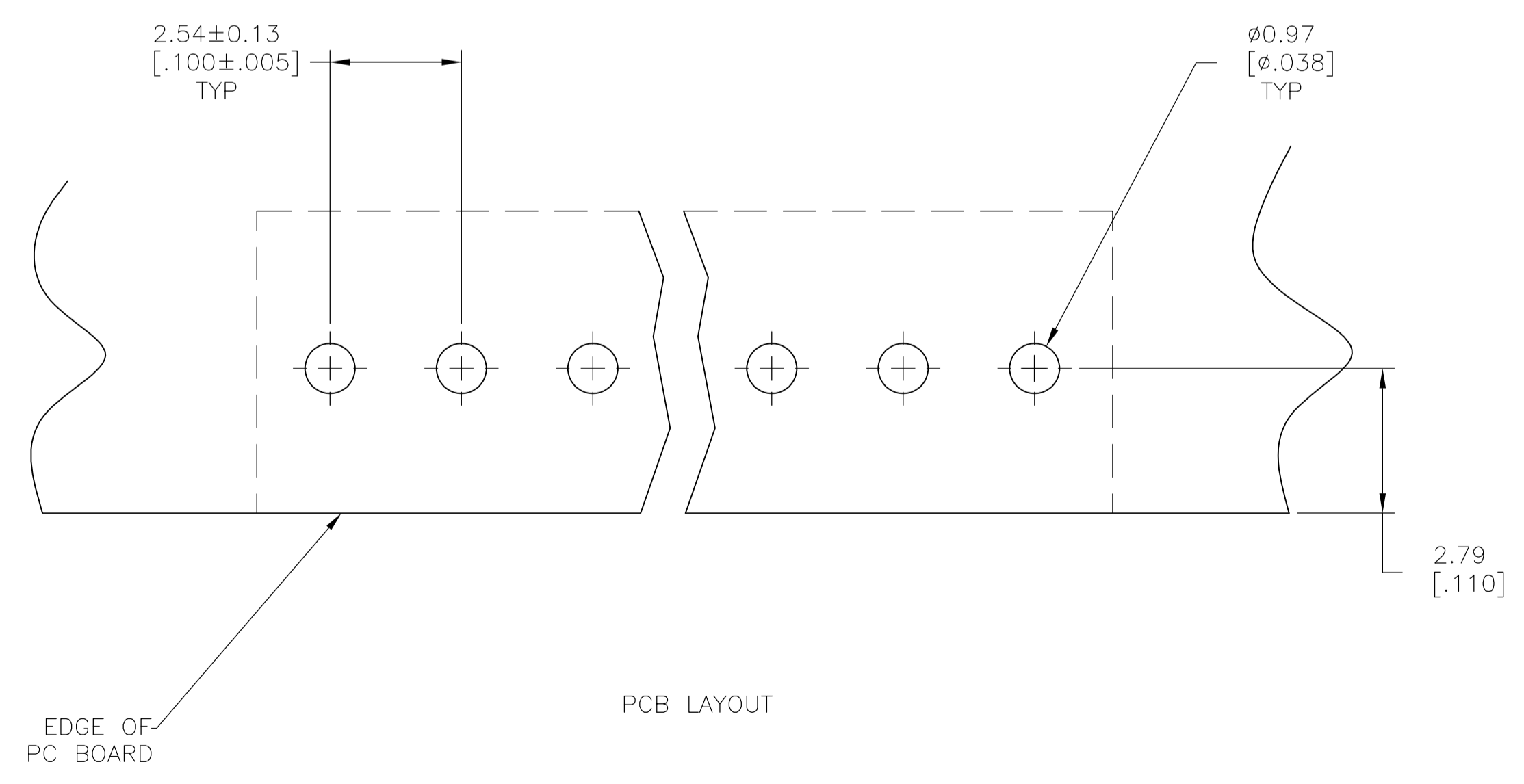
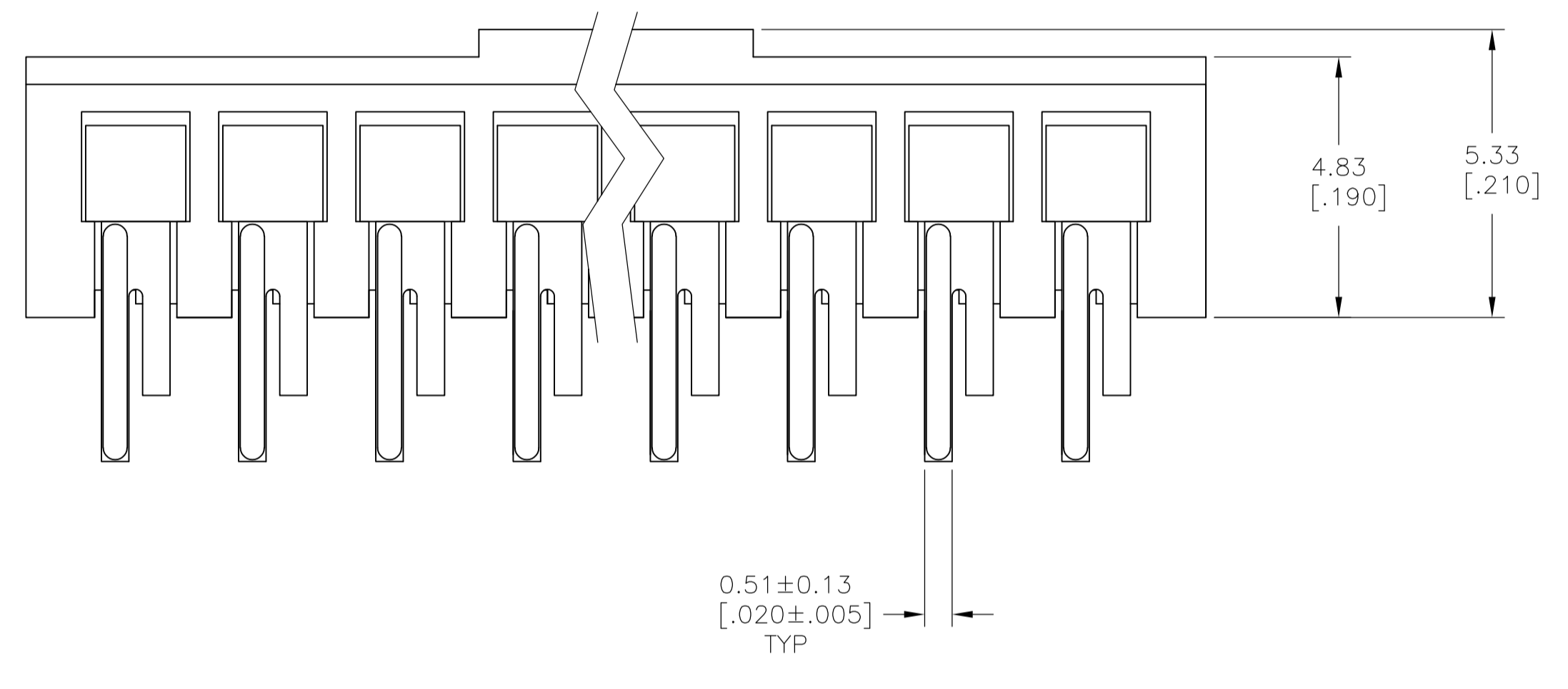
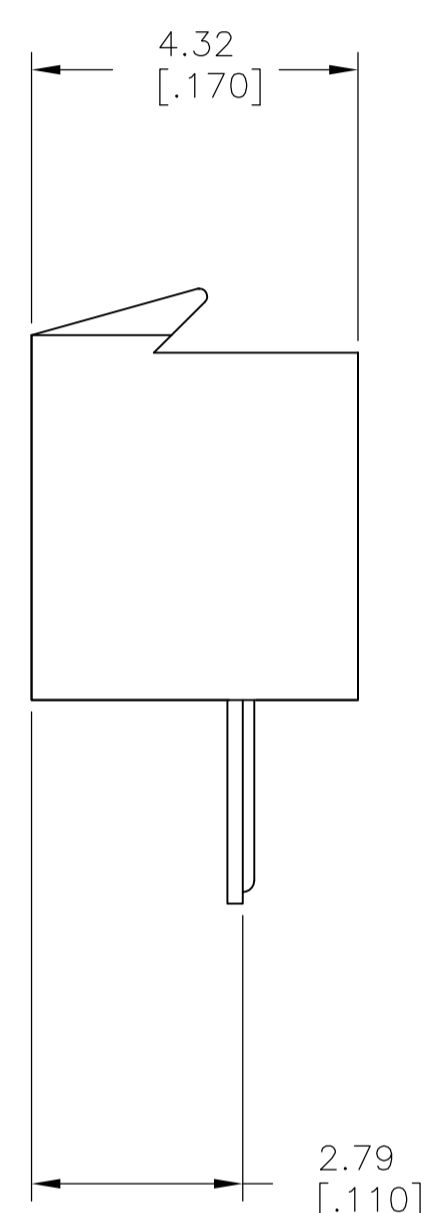
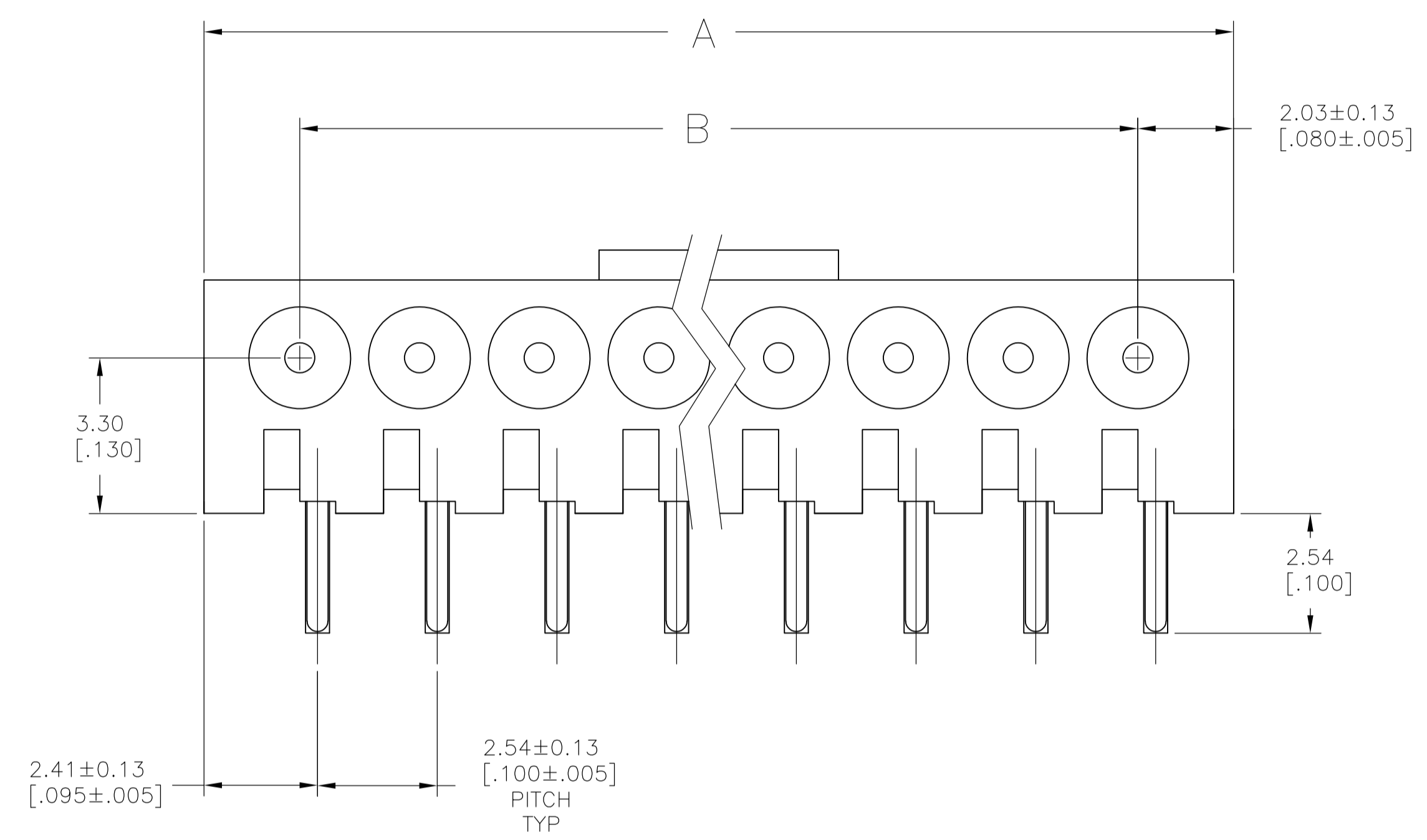


SINGLE LATCH



DUAL LATCH

- 1 MATERIAL:  
HOUSING: 30% GF POLYESTER, COLOR: BLUE.  
CONTACTS: COPPER ALLOY
- 2 FINISH: 2.54 $\mu$ m [.000100] MIN THICK MATTE TIN OVER  
2.54 $\mu$ m [.000100] MIN THICK NICKEL UNDERPLATE.
- 3. PACKAGED IN TUBES



|               |               |              |               |               |            |                        |                |
|---------------|---------------|--------------|---------------|---------------|------------|------------------------|----------------|
| 42.16 (1.660) | 32.00 (1.260) | N/A          | 58.42 (2.300) | 62.48 (2.460) | 24         | FHS-24LF               | 1888290-9      |
| 32.00 (1.260) | 21.84 (0.860) | N/A          | 48.26 (1.900) | 52.32 (2.060) | 20         | FHS-20LF               | 1888290-8      |
| 32.00 (1.260) | 21.84 (0.860) | N/A          | 43.18 (1.700) | 47.25 (1.860) | 18         | FHS-18LF               | 1888290-7      |
| 21.84 (0.860) | 11.68 (0.460) | N/A          | 38.10 (1.500) | 42.16 (1.660) | 16         | FHS-16LF               | 1888290-6      |
| 21.84 (0.860) | 11.68 (0.460) | N/A          | 33.02 (1.300) | 37.08 (1.460) | 14         | FHS-14LF               | 1888290-5      |
|               |               |              | 27.94 (1.100) | 32.00 (1.260) | 12         | FHS-12LF               | 1888290-4      |
| N/A           | N/A           | 7.62 (0.300) | 22.86 (0.900) | 26.92 (1.060) | 10         | FHS-10LF               | 1888290-3      |
| N/A           | N/A           | 7.62 (0.300) | 20.32 (0.800) | 24.38 (0.960) | 9          | FHS-09LF               | 1888290-2      |
| N/A           | N/A           | 5.08 (0.200) | 17.78 (0.700) | 21.84 (0.860) | 8          | FHS-08LF               | 1888290-1      |
| E             | D             | C            | B             | A             | NO OF POSN | T&B CATALOG NUMBER REF | TE PART NUMBER |

OBSOLETE

THIS DRAWING IS A CONTROLLED DOCUMENT.

|             |  |                 |         |
|-------------|--|-----------------|---------|
| DIMENSIONS: | TOLERANCES UNLESS OTHERWISE SPECIFIED: | DIN D1 MCMASTER | 06JUN06 |
| mm [INCHES] | 0 PLC $\pm$ -                          | 06JUN06         |         |
|             | 1 PLC $\pm$ -                          |                 |         |
|             | 2 PLC $\pm$ -                          |                 |         |
|             | 3 PLC $\pm$ $\pm$ .25[.010]            |                 |         |
|             | 4 PLC $\pm$ -                          |                 |         |
|             | ANGLES $\pm$ -                         |                 |         |

MATERIAL: FINISH: WEIGHT: A1 00779 C=1888290

CUSTOMER DRAWING SCALE 10:1 SHEET 1 OF 1 REV C

STE TE Connectivity

ASSEMBLY, RIGHT ANGLE SOCKET CONNECTOR